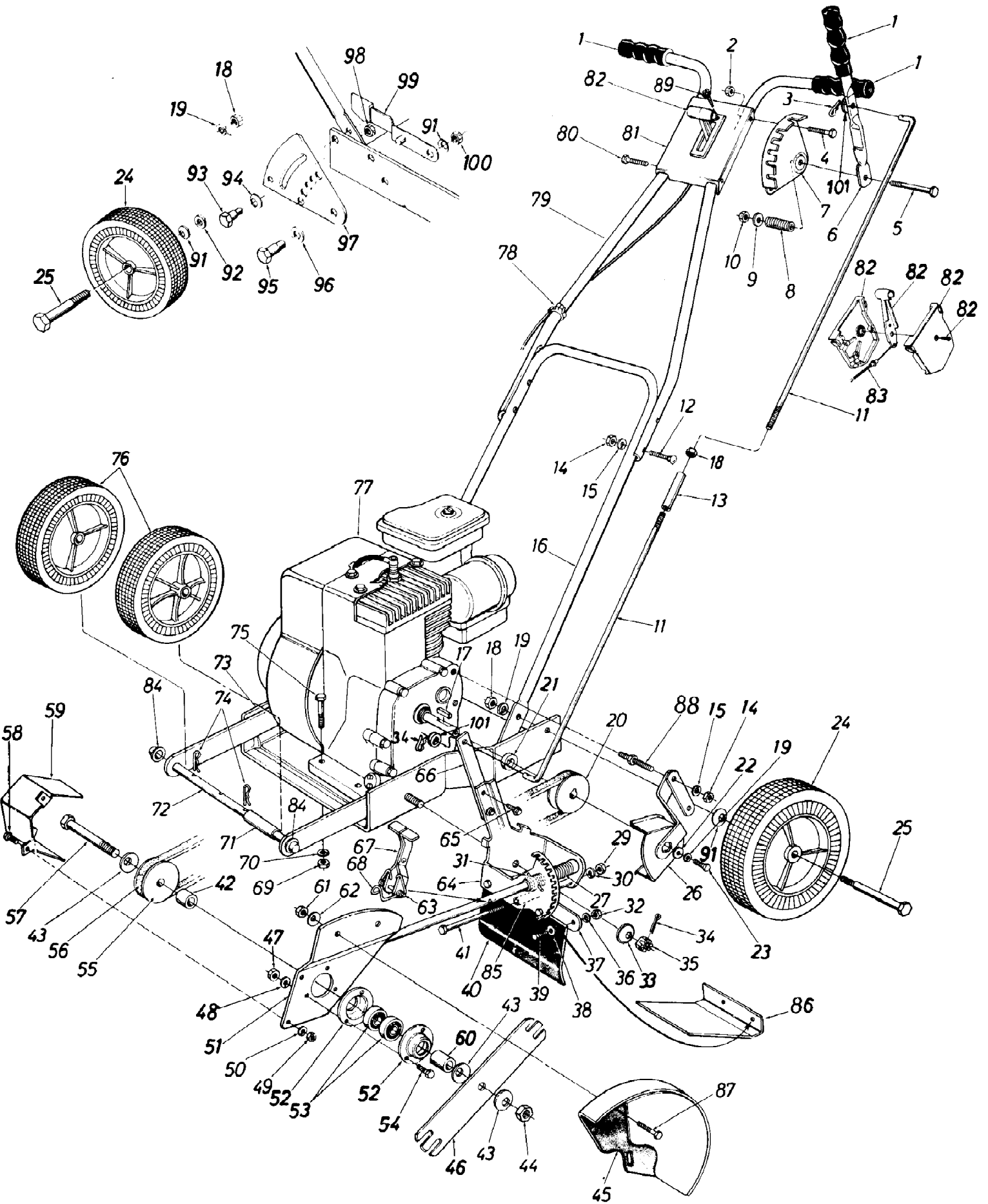


249-604-190 Edger (1989)  
Edger



249-604-190 Edger (1989)  
Edger

Page 2 of 3

Ref #	Part Number	Qty	S/P/F	Description
1	07071	1	/P	Black Grip
2	712-0107	1	S	Hex L.-Nut 1/4-20 Thd.
3	714-0115	1	S	Cotter Pin 1/8" Dia.
4	710-0106	1	/P	Hex Bolt 1/4-20 x 1.25" Lg.*
5	710-0380	1	S	Hex Bolt 5/16-18 x 1.75" Lg.!
6	749-0666	1	S	Engagement Handle
7	781-0081	1		Adjustment Bracket
8	732-0369	1	S	Compression Spring 1.38" Lg.
9	736-0264	1	S	Fl.-Wash. .344" I.D.
10	712-0158	1	S	Hex L.-Nut 5/16-18 Thd.
11	747-0498	1		Clutch Rod Half 18.25" Lg.
12	710-0111	1	/P	Carriage Bolt 1/4 20 x 1.25" Lg.*
13	750-0628	1		Rod Adjustment Link
14	712-0287	1	S	Hex Nu 1 4 20 rhd.
15	736-0329	1	S	L.Was 4" I.D.
16	749-0453	1		Lower Handle Painted)
	09955	1		Lower Handle (Chrome)
17	714-0122	1	S	Sq. Key 3/16" x .75" Lg.
18	712-0798	1	/P	Hex Nut 3/8-16 Thd.*
19	736-0169	1	S	L.-Wash. 3/8" I.D.*
20	756-0327A	1	S	Engine Pulley
21	750-0212	1	S	Spacer .75" I.D.
22	736-0258	1	/P	Fl.-Wash. .385" I.D.
23	710-0152	1	S	Hex Bolt 3/8-24 x 1" Lg.*
24	734-1162A	1		Rear Wheel Ass'y. 8" x 1.75"
25	738-0108	1	S	Shoulder Bolt .498" Dia.
26	13960	1		Belt Guard Ass'y.
27	732-0187	1		Compression Spring
29	712-0267	1	S	Hex Nut 5/16-18 Thd.*
30	736-0119	1	S	L.-Wash. 5/16" I.D.*
31	715-0247	1	S	Spring Pin Spir. 3/16" Dia.
32	712-0287	1	S	Hex Nut 1/4-20 Thd.*
33	736-0112	1	/P	Bell.-Wash. .535" I.D.
34	714-0115	1	S	Cotter Pin 1/8" Dia.*
35	712-0114	1	S	Hex Slotted Nut 1/2-20 Thd.
36	736-0329	1	S	L.-Wash. 1/4" I.D.*
37	781-0087	1	S	Flap Bracket
38	736-0342	1		Fl.-Wash. .25" I.D.
39	710-0289	1	S	Hex Bolt 1/4-20 x .50" 4.*
40	731-0725	1		Flap
41	710-0402	1		Hex Bolt 5/16-18 x 4.5" 4.*
42	750-0229	1	S	Spacer 1.030" 4.
43	736-0317	1	/P	Bell.-Wash. .63" I.D.
44	712-0221	1		Hex Ins. L.-Nut 5/8-18 Thd.
45	781-0076	1		Guard Ass'y.
46	781-0080	1	S	Edger Blade
47	712-0287	1	S	Hex Nut 1/4-20 Thd.*
48	736-0329	1	S	L.-Wash. 1/4" I.D.*
49	712-0287	1	S	Hex Nut 1/4-20 Thd.*
50	736-0329	1	S	L.-Wash. 1/4" I.D.*
51	781-0078	1	/P	Spindle Plate Ass'y.
52	15319B	1	/P	Bearing Housing
53	741-0155	1		Fl.-Wash. .62" I.D.

249-604-190 Edger (1989)  
Edger

Page 3 of 3

Ref #	Part Number	Qty	S/P/F	Description
54	710-0258	1	S	Hex Bolt 1/4-20 x .62" Lg.*
55	756-0449	1	S	3/8" "V" Pulley
56	754-0142	1	S	"V" Belt
57	710-0929	1	S	Hex Bolt 5/8-18 x 4.5" Lg.
58	710-0258	1	S	Hex Bolt 1/4-20 x .625" 4.
59	781-0086	1	S	Belt Guard
60	750-0118	1	S	Sleeve.90" Lg.
61	712-0267	1	S	Hex Nut 5/16-18 Thd.
62	736-0242	1	/P	Bell.-Wash. .345" I.D.
63	715-0121	1	/P	Spring Pin Spir. 1/4" Dia.
64	781-0090	1	S	Pivot Bracket Ass'y.
65	710-0600	1	/P	Hex Wash. Hd. Self Tap Scr. 5/16-24 0 x .50" Lg.
66	781-0075	1	S	Arm Extension
67	781-0093	1	S	Adjustment Lever Ass'y.
68	732-0188A	1	/P	Torsion Spring
69	712-0267	1	S	Hex Nut 5/16-18 Thd.
70	736-0119	1	S	L.-Wash. 5/16" I.D.
71	750-0622	1		Spacer 1.62" Lg.
72	738-0613	1		Axle 8.75" Lg. (Front)
73	781-0083	1		Base Ass'y.
74	714-0101	1	S	Hair Pin Cotter 1/2" Dia.
75	710-0442	1	S	Hex Bolt 5/16-18 x 1.5" Lg.
76	734-1161A	1		Front Wheel Ass'y. 7" x 1.50"
77		1		Engine
78	726-0192B	1		Cable Tie
79	749-0668	1		Upper Handle (Painted)
	749-0667	1		Upper Handle (Chrome)
80	710-0597	1	/P	Hex Bolt 1/4-20 x 1" Lg.
81	781-0092A	1		Handle Support Plate
82	831-0796	1	S	Throttle Control Box Ass'y.
83	746-0635	1	S	Throttle Control Wire 30" Lg.
84	726-0221	1	/P	Push Cap 1/2"Dia.
85	711-0386	1		Spacer 3.765" Lg.
86	781-0095	1		Debris Deflector .25" Lg.
87	710-0118	1	S	Hex Bolt 5/16-18 x .75" Lg. Spec.
88	751-0271	1		Stud 1/4-20 x 2.12" 4.
89	710-0779	1	S	Self-Tap Scr. #10 x .50" Lg.
91	736-0105	1	/P	Bell.-Wash. .40" I.D.
92	736-0280	1		Fl.-Wash. .39" I.D.
93	738-0258	1	S	Shld. Bolt.5" Dia.
94	736-0255	1	S	Bell-Wash. .515" I.D.
95	738-0183	1	S	Shld. Bolt .50" Dia.
96	736-0272	1	S	Fl.-Wash. 51" I.D. x 1"
97	781-0100	1	/P	Curb Height Adjuster
98	712-0375	1	/P	Hex L-Nut 3/8-16 Thd.
99	732-0552	1	S	Spring Adj. Lever
100	712-02666	1		Hex Jam Nut 3/8-16 Thd.
101	736-0262	1	/P	Fl-Wash. 3/8" I.D.